



RazorBlade
Saber
Spazz-G
Little
Dipper
Chump-G
Boing!
Spazz
ShockBlade
Chump
Eclipse
Spazz-K
RazorBlade Jr.
Saber Jr.
Krypto
Zephyr

colourswheelchair.com

WELCOME TO THE WORLD OF COLOURS!

Colours in Motion
860 E. Parkridge Avenue
Corona, CA 92879, U.S.A.
Toll Free: 800-892-8998
Tel: 951.808.9131
Fax: 951.808.9949
www.colourswheelchair.com

Congratulations on your purchase of a Colours wheelchair, the finest ultra-light wheelchair in the world. Colours wheelchairs are hand-crafted to ensure the highest quality possible. By selecting Colours you can now rely on prompt and friendly service.

The designers as well as many of the employees at Colours are wheelchair users, so there is a wealth of practical experience built into your wheelchair.

By understanding our customers need for independence and mobility, we at Colours are committed to doing everything we can to help you get the optimal use of your new wheelchair.

To realize the greatest benefits from your wheelchair it is important that you first read this manual. It is designed to help you understand how your chair is built and how it should be adjusted to give you maximum comfort and safety. No wheelchair will work well if it is not adjusted precisely for its user. So please, read this manual carefully before using your new wheelchair.

Thank you for choosing Colours.

CHAPTER 1	SAFETY TIPS	1
CHAPTER 2	GETTING TO KNOW YOUR CHAIR	2
	COLOURS EVERY DAY CHAIRS	3-4
CHAPTER 3	GETTING IT RIGHT	5
	Part 1 Standard adjustments/ Center of Gravity	6
	Center of gravity (SABER)	7
	Backrest angle	8
	Brakes	9
	Quick releases	9
	Footrest/ Wheels	10
	Backrest height/shocks	11
	Part 2 Advance adjustments	11
	Rear seat height	12
	Front seat height	12
	camber angle	12
	Caster Housing (SABER)	12
	Camber/ Wheel Alignment	14
CHAPTER 4	MAINTENANCE, WARRANTY & ACCESSORIES	15
	Service & maintenance	15
	Maintenance schedule	16
	Troubleshooting	16
	Warranty	17
	Accessories	17-18
	Register Card	19

Chapter 1

S A F E T Y T I P S

- | | |
|---------------------|--|
| PATIENCE | Always start slowly. You will grow into the feel of your chair. By trying to do too much too soon, you could run the unnecessary risk of injury to yourself and others. |
| TEAMWORK | Have someone assist as you familiarize yourself with your wheelchair. Each new maneuver could pose a potential risk of injury. Backward movements are especially tricky. Always have someone working with you until you attain a level of proficiency when operating your wheelchair. Whenever anyone assists you, it is important that they too read the owners manual prior to getting started. |
| CONTROL | Avoid unnecessary risks such as high speeds, quick turns and leaning backward. In addition, avoid running over objects which could cause you to stop suddenly or capsize. |
| SAFETY CHECK | You should always perform a safety check of your wheelchair before each use. |
| CONSULT | Talk to your doctor, nurse or therapist prior to operating your wheelchair to determine safe methods of operation that suit you best. |
| WEIGHT SHIFT | Certain shifts in your weight while dressing or performing a physical activity may create a potential hazard. If these functions are not done properly, they could result in a fall or capsizing of the chair. To help prevent this: <ol style="list-style-type: none"> 1. Position the front casters forward. 2. Make sure the anti-tippers (if installed) are locked and in the downward position. 3. Move the rear of the chair so that it is against a wall. 4. Lock both rear wheels. |

WHEELIE

This is a dangerous maneuver and we do not recommend its use without assistance.

DOORWAYS

The safest way to operate the chair is on level floors that are free of obstacles. Whenever possible use a ramp to enter or exit a facility. Keeping your hands on the push rims will allow you to maintain maximum balance. Do not try to force yourself over an obstruction by propulsion and never use the sides of a doorway to pull yourself through a passageway.

EXTENDING, REACHING OR LEANING

It is best to avoid reaching or leaning forward when operating your wheelchair. If circumstances arise that make leaning forward unavoidable you should:

1. Position the casters in the forward position.
2. Maneuver your chair as close to the desired object as possible.
3. Secure yourself with one hand by holding on to the arm rest or rear wheel.
4. Do not lock the rear wheels.
5. It is best to avoid applying pressure on the footrest.

NAVIGATING INCLINES

When traveling up or down a hill, it is recommended that you:

1. Maintain a straight course.
2. Never turn on a hill due to the danger of toppling.
3. Avoid stopping, it can potentially cause you to lose control of the chair.
4. Maintain a slow and controlled speed, by applying steady pressure on the push rims.
5. Do not use the brakes to slow down or stop the wheelchair, this could cause it to seize up, causing you to lose control.
6. Whenever possible, utilize help from an assistant while navigating inclines.

It is important to note that hills and slopes can be hazardous, even with the use of anti-tippers.



CURBS

When negotiating curbs it is suggested that:

1. Whenever possible get help from an assistant (if you have assistance make sure that your chair is equipped with push handles).
2. Avoid hard impacts when descending a curb. A hard impact could adversely affect the chair.
3. If being assisted, the chair should be lowered, by gently rolling the rear wheels down the curb, from a backward position.
4. Never try to scale or descend curbs that exceed a normal height.

STAIRS

When going up or down a staircase you should:

1. Always use two or more assistants.
2. One assistant should be positioned at the rear of the chair and one assistant should be positioned at the front of the chair.
3. Always secure the chair by holding non-detachable positions on the frame.
4. When ascending a staircase, position the chair backward.
5. When descending a staircase, position the chair forward, tilt the chair back and roll down one step at a time.
6. The assistant to the rear is always in control.
7. The chair must have push handles when negotiating stairs.

ESCALATORS

Never use an escalator for transport, use an elevator.

STREETS

Always use extreme caution when crossing streets. Reflective tape on the chair or your clothing will make you more visible to drivers.

Check local laws regarding wheelchair use as they vary from state to state.

MOTOR VEHICLES
WEIGHT LIMITATIONS
ACCESSORIES

Do not drive or transport with a patient in the wheelchair.

Do not exceed the 250 pound weight limitation of the chair.

Certain maneuvers should not be attempted without the proper equipment. The following is a partial list of accessories available and when they could be utilized:

1. Anti-Tippers:
 - a) When leaning backwards or tilting chair
 - b) When going up inclines or over obstacles
 - c) When performing a wheelie

Note: It is important to remember to remove or rotate the anti-tipper tubes up when being assisted.

2. Push Handles:

When an assistant is attempting to tilt or push the chair.

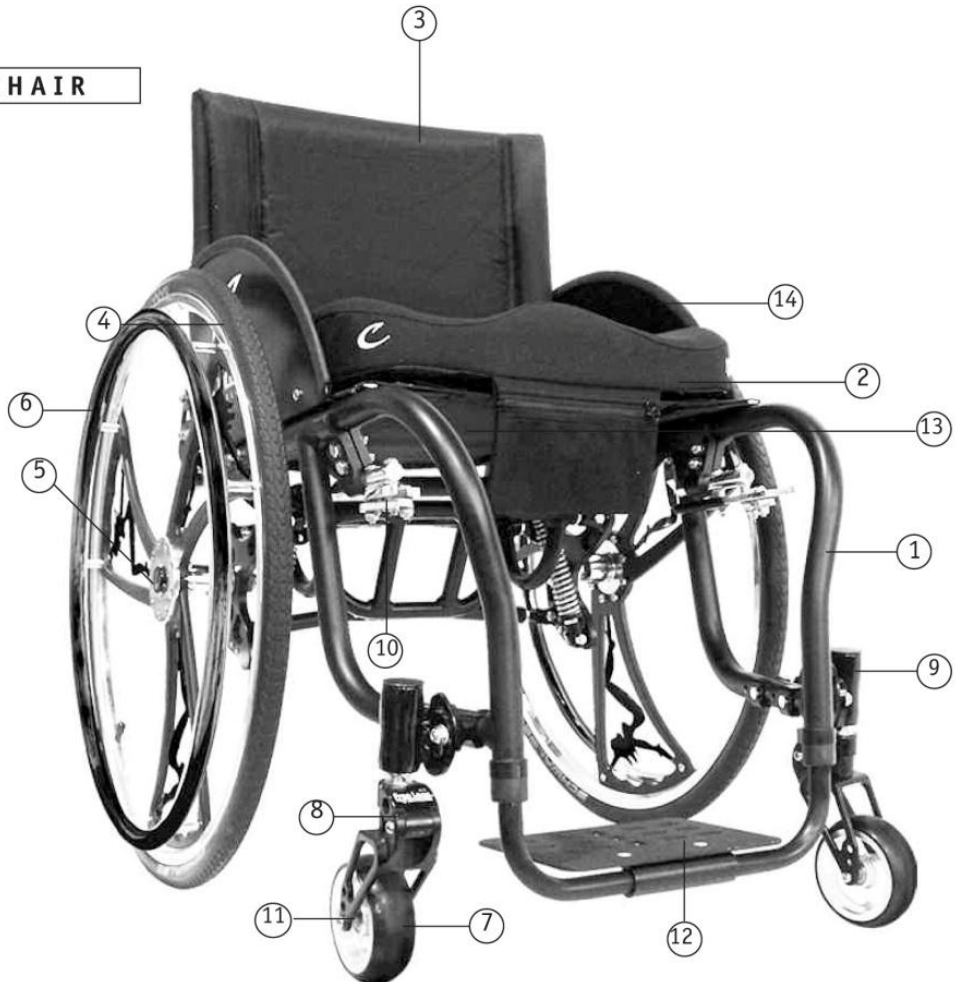
3. Arm Rest:

To supply support for your arms.

4. For an additional list of accessories, please see page 36 in Chapter 4.

GETTING TO KNOW YOUR CHAIR

- | | |
|--------------------------|----|
| Frame | 1 |
| Cushion | 2 |
| Backrest | 3 |
| Rear Wheel assembly | 4 |
| Rear Wheel Quick Release | 5 |
| Push Rim | 6 |
| Caster | 7 |
| Caster Fork | 8 |
| Caster Housing | 9 |
| Brake assembly | 10 |
| Caster Axle | 11 |
| Footrest | 12 |
| Seat Sling (seat frame) | 13 |
| Side Guards | 14 |



Chapter 2

COLOURS EVERYDAY CHAIRS

Zephyr



RazorBlade



Boing!



ShockBlade



Saber



Spazz-G



Spazz



RazorBlade jr.



Eclipse



Chump



Spazz-K



Little Dipper



Saber Jr.



Krypto



Chapter 3

GETTING IT RIGHT PART 1

Making the Proper Adjustments

As you go through the process of fine tuning your new Colours chair, you will experience how much small adjustments effect the way your chair “feels” and “performs.”

Review this checklist with your Colours representative to make sure you get the maximum performance from your Colours wheelchair.

STANDARD ADJUSTMENTS

CENTER OF GRAVITY

BACKREST ANGLE

BRAKES

QUICK RELEASES

FOOTREST

BACKREST HEIGHT

WHEELS

SHOCKS (Boing! & ShockBlade only)

REAR SEAT HEIGHT (Saber only)

The sections, on adjustments to the chair, have been divided into two parts. Part 1 deals with standard adjustments. Part Two deals with advanced adjustments. We recommend that all adjustments be made by an authorized Colours dealer. It is important that you DO NOT attempt any of the advanced adjustments discussed in part 2. Those sections are included solely to familiarize you with your chair.

CENTER OF GRAVITY

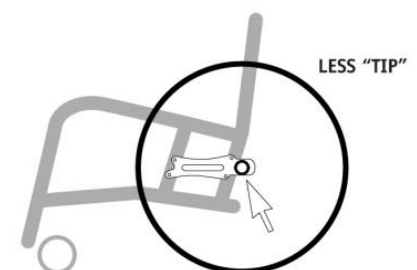
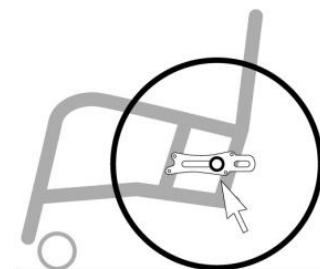
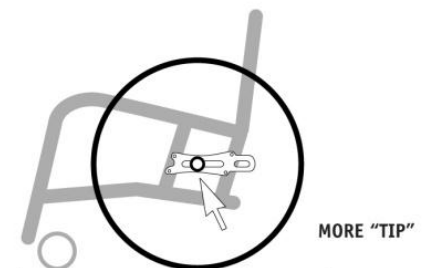
What It's All About

One of the most important factors in designing a wheelchair is geometry. Establishing your sitting position and center of gravity (COG) is what allows the chair to become a part of you. This enables the chair to work with you instead of against you. In essence, establishing the correct COG equates to having balance in your chair. This is why it is so important to determine your sitting position and the COG.

This adjustment is individualized and will depend greatly on your wheelchair skills. It is important that you consult your dealer and/or clinician before experimenting with the rear wheel alignment.

! IMPORTANT

The Performance of the chair will depend greatly on the accuracy of this adjustment. Remember to always test the degree to which the chair will tip, and how this changes as the rear wheel position is changed.

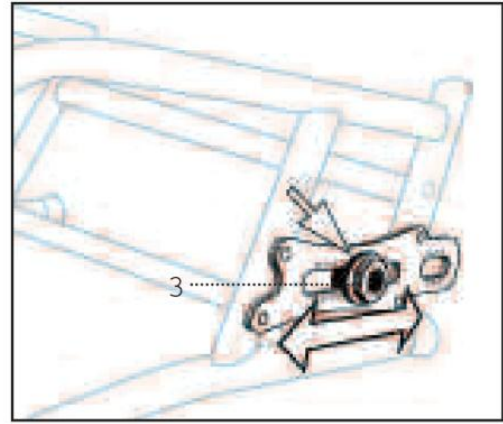


CENTER OF GRAVITY

Changing the Center Of Gravity (Eclipse, Lil Dipper,)

The Center Of Gravity is changed by moving the rear axle position forward or back. The following steps are how it is done:

1. Push the Rear Wheel Quick Release button. (Refer to "Quick Releases" on page 16.)
2. Remove the rear wheel.
3. Loosen the large nut on the inside of the axle plate/camber plate. Once the nut is loosened enough to free the guiding pin on the outside of the axle plate, move the axle receiver forward (to allow the chair to tip more) or to the rear (to make the chair tip less).
4. Place the guiding pin in desired hole and re-tighten the nut on the inside of the axle plate. Make sure the guiding pin is completely positioned in one of the axle plate's holes before you tighten the nut.
5. Reinstall the rear wheel.
6. Repeat steps 1 thru 6 on the other rear axle. (note: The axles must be set in the same position on both the right and the left side of your chair.



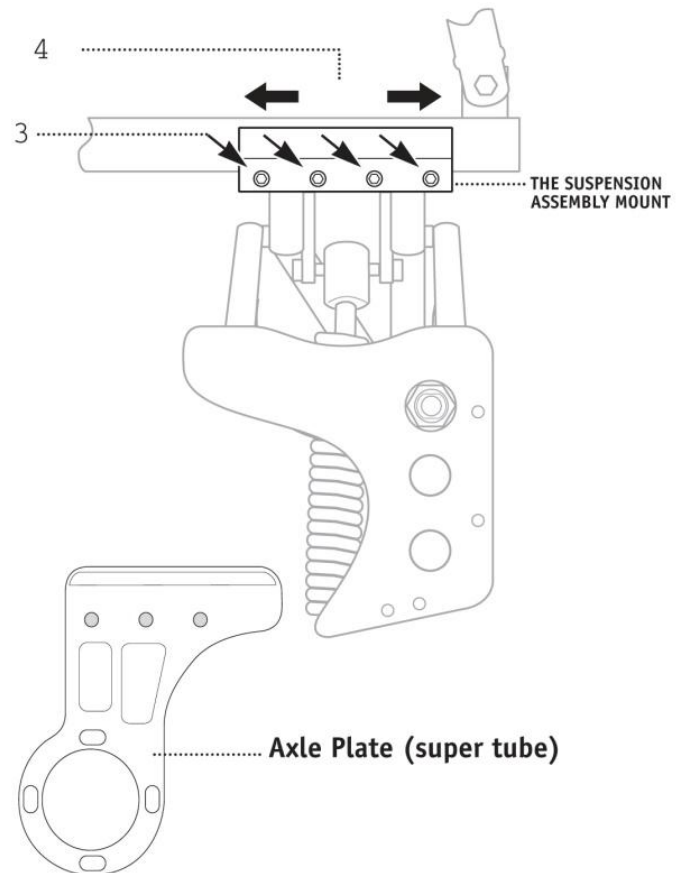
! IMPORTANT

Once you have determined your axle position, it is extremely important that the axle receiver is securely fastened on the axle plate, by tightening the large nuts that you released to move the axles. There should be no play in the axle assembly.

Changing the Center Of Gravity (Suspension and Super tube style)

Because the shape of the frame on some models are slightly different, adjusting the COG is accomplished by the following steps:

1. Push the Rear Wheel Quick Release button. (Refer to "Quick Releases" on page 16.)
2. Remove the rear wheel.
3. Using an Allen wrench, remove the all bolts securing the suspension mount or axle plate to the frame on each side of the wheelchair.
4. Slide the suspension mount or Axle plate forward or back to the desired setting.
5. Reinstall the bolts on each side of the wheelchair.



COLOURS

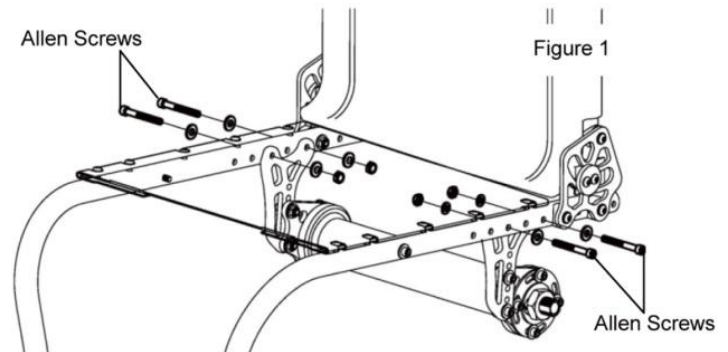
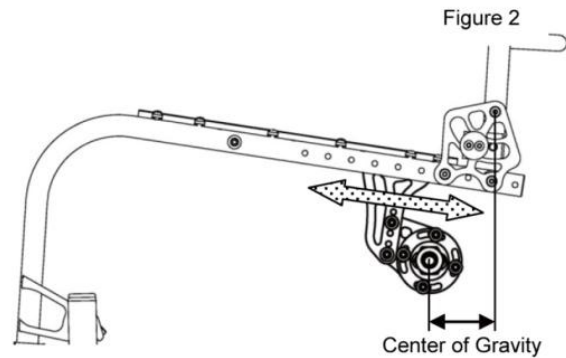
Axle Plates (Saber)

Center of Gravity; Rear Seat Height

(Tools Needed: • 3/16" Allen Wrench • 7/16" Open End Wrench)

Adjusting Center of Gravity (Saber only)

1. Place the chair on a level surface.
2. Remove the rear wheels.
3. Remove the four Allen Screws that secure the axle plate to the frame. (See Figure 1)
4. Reposition the axle plate to the desired center of gravity. (See Figure 2)
5. Reinstall the four Allen Screws.
6. Securely tighten all four Allen Screws.
7. Reinstall the rear wheels.
8. Check the toe-in/toe-out and adjust as needed and square the front casters as needed before riding.



Adjusting Rear Seat Height (Saber only)

1. Place the chair on a level surface.
2. Remove the rear wheels.
3. Remove the four Allen Screws that secure the axle plate to the axle base. (See Figure 3)
4. Reposition the axle plate to the desired rear seat height. (See Figure 4)
(*Depending on the rear seat height, Axle base plates may need to be reversed.)
5. Reinstall the four Allen Screws.
6. Securely tighten all four Allen Screws.
7. Reinstall the rear wheels.
8. Check the toe-in/toe-out and adjust as needed and square the front casters as needed before riding.

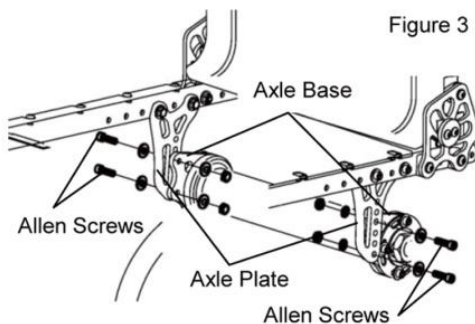


Figure 3

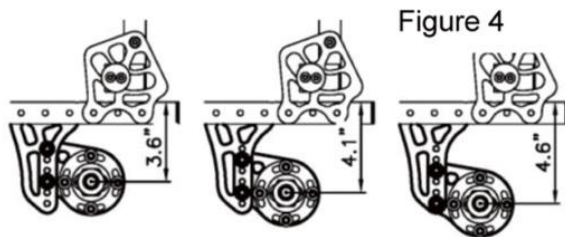
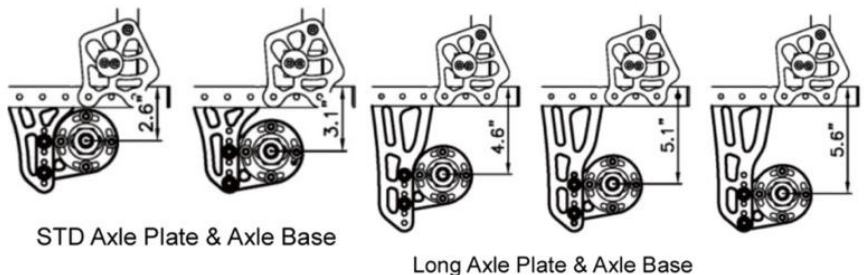


Figure 4

STD Axle Plate & Reversed Axle Base

Long Axle Plate & Reversed Axle Base

Backrest Angle

Good Stability (old style)

The most important considerations when setting the correct backrest angle is posture control, balance and stability. The optimal adjustment must be achieved without exerting excess pressure on any part of your back.

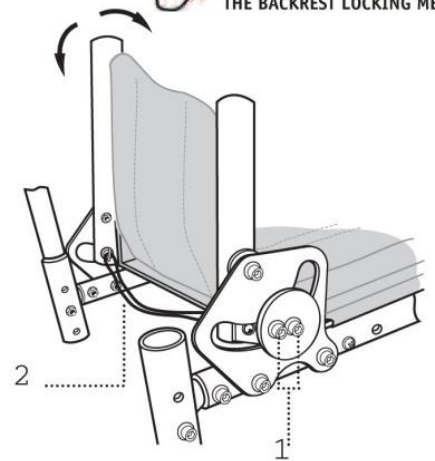
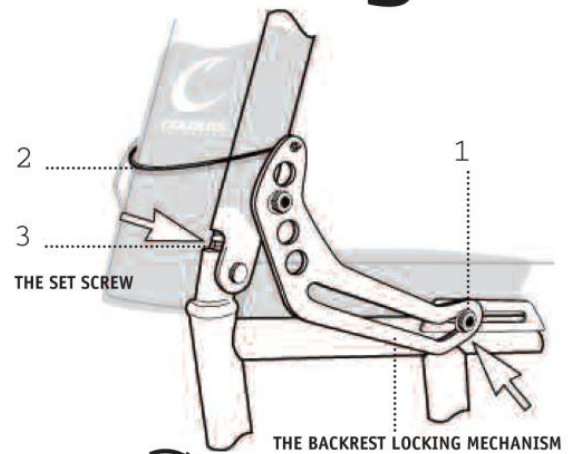
Your Colours chair is equipped with a safety backrest locking mechanism.

To adjust the backrest angle:

1. Loosen the screws on each backrest locking mechanism.
2. Fold the backrest forward while pulling down on the string attached to the backrest locking mechanism.
3. By turning the set screw by 1/4" increments clockwise the backrest angle will be adjusted to the rear. Turning the screw by 1/4" increments counterclockwise will bring the backrest angle forward.
4. Repeat step 3 on the other set screw.
5. Return the backrest to the full upright position. The backrest lock will automatically engage.
6. Retighten the screw on the backrest locking mechanism.

Backrest Locking Mechanism (with angle adjust)

1. Adjust angle by loosening 2 screws on each side, then position backrest at correct angle then retighten the screws.
2. Pull cord to release locking back. Pull cord again to restore back to vertical position.



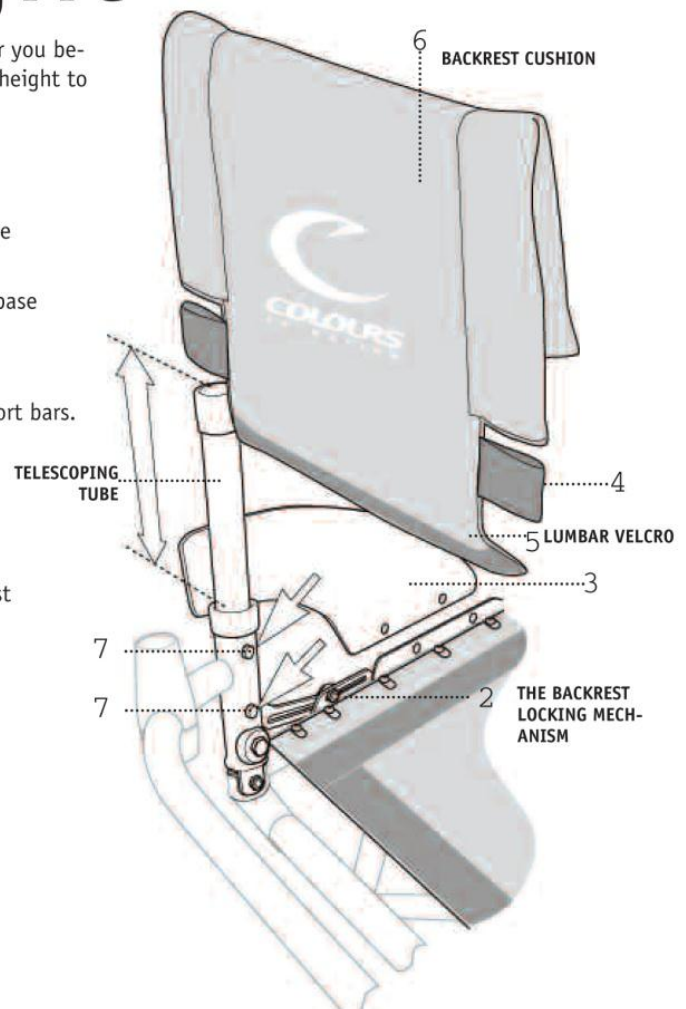
! IMPORTANT

Make sure the final setting is the same for both the right and the left side of the backrest.

Backrest Height

The backrest height assists you with greater balance and stability. After you become more familiar with the chair, you may wish to lower the backrest height to gain greater flexibility*. To adjust the backrest height:

1. Remove the seat cushion (secured to Velcro lining.)
2. Remove backrest lock.
3. Remove the side guard by using an Allen wrench to take out the two screws securing the panel in place.
4. Unfasten the velcro secured bindings that are attached at the base of the backrest support bar.
5. Unfasten the lumbar Velcro of the backrest cushion.
6. Remove the backrest cushion by pulling it off of backrest support bars.
7. To adjust the backrest height, remove the screw securing the telescoping tubes and adjust up or down in 1" increments.
8. Once you have adjusted the backrest height reinstall the screw securing the telescoping tubes.
9. Reinstall backrest cushion. Note: Be sure to adjust the backrest seat cushion by folding over and reattaching Velcro.
10. Reattach the lumbar Velcro and bindings.
11. Reinstall the side guards, backrest lock and seat cushion.



* There are two adjustable and four nonadjustable telescoping tubes available.
Adjustable telescoping tubes: 9" to 12" and 13" to 15".
Nonadjustable backrest support bars: 8", 16", 17" and 18".

Brakes

Brake Adjustment

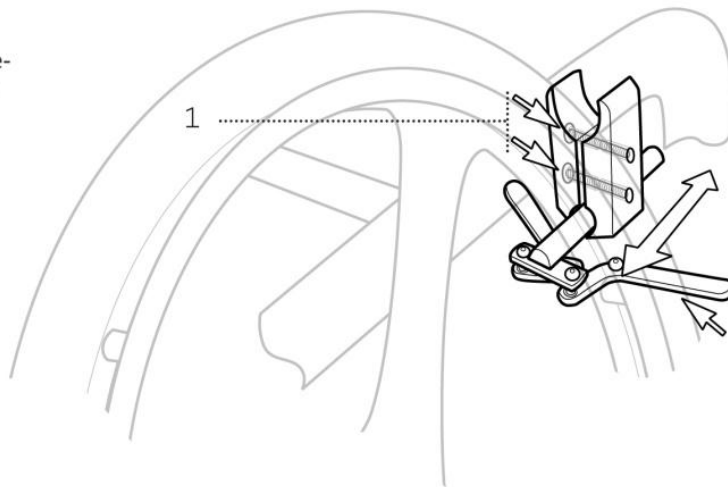
Colours wheelchairs are available with two different styles of brakes. The basic adjustment is the same for both styles. The brake position depends on the location of your rear axle, therefore it is important that you adjust your brakes after you have determined the rear axle position.

! IMPORTANT

Every time the rear wheels are moved to a different position, you need to adjust your brakes.

This is how you adjust your brakes:

1. Loosen the screws that secure the brake clamp to the frame tube.
2. When the clamp moves freely on the tube, slide the brake forward (to loosen the brakes) or backward (to tighten the brakes).
3. When the brake is fully engaged it should compress the tire approximately 5-7 millimeters.



The brakes need to be adjusted periodically depending on tire wear and the type of tire installed. Keep in mind that correct tire pressure is necessary in order for your brakes to work properly.

Quick Releases

A Great Convenience

All Colours wheelchairs are equipped with quick release axles for both front and rear wheels. Removal of the rear wheels and casters are accomplished with the push of a button, which adds to the flexibility and convenience of the product. Some people use different wheel styles depending on the application, and in these cases it is quick and easy to change from one set of wheels to the other, including casters.

To remove or adjust the wheels and casters:

1. Push the quick release button.
2. While holding the quick release button in, pull the axle out of the axle receiver.
3. Using a wrench, use half turns to adjust the bolt on the axle plate to the desired setting.
4. Tighten the bolt and reinstall the wheel.

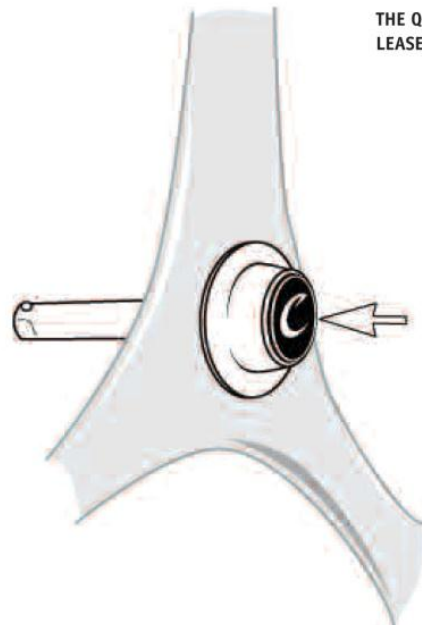
To install the wheels and casters:

1. Hold the quick release button in as you guide the axle into the axle receiver.
2. Make sure the quick release button pops back out to its locked position.

! IMPORTANT

Make sure the quick release button pops back out in its locked position every time you install a wheel or caster. Failing to do so may cause the wheel or caster to come off during the use of the chair. Inspect the axle after installing the wheel to verify that the release pins at the end of the axle are out and that the axle is locked into place.

THE QUICK RELEASE BUTTON



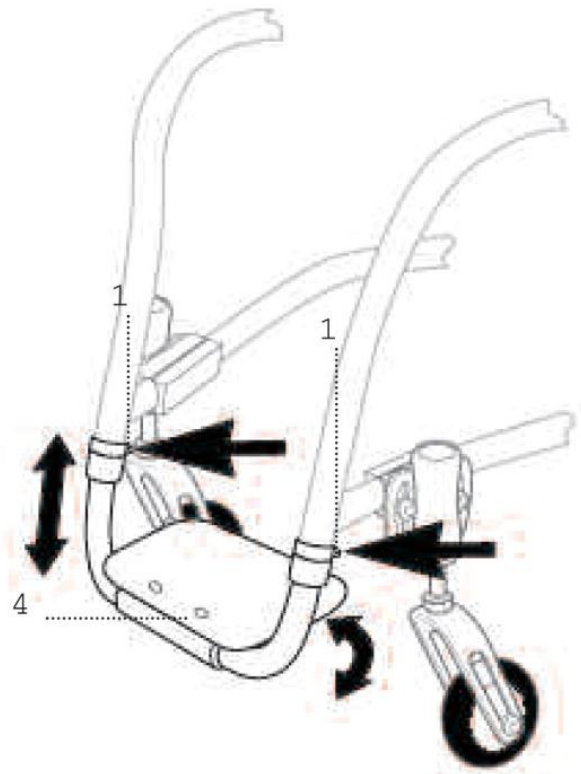
Standard on your Colours is a new large quick release button for the rear wheels. This new design feature helps keep the hub clean and it's easier to push.

Footrest

Adjusting the Footrest

Each leg should absorb equal pressure. The foot rest can be adjusted by:

1. Loosening the screw on the footrest rings using an Allen wrench (two full turns should do it.)
2. Using a rubber mallet, tap the footrest (up or down) to desired position. Be sure that you adjust both sides equally.
3. Retighten the screw on the footrest rings.
4. To change foot plate angle, loosen screws adjust angle then retighten.



TIRES

On a day to day basis, it is important to check the tire wear and the pressure. Tires with excessive wear or that are over or under inflated will, in most cases, compromise the comfort and performance of the chair. It is important to keep the tire pressure within the indicated range. The recommended air pressure is indicated on the sidewall of the tire. The type of wheel supplied with your Colours chair may vary.

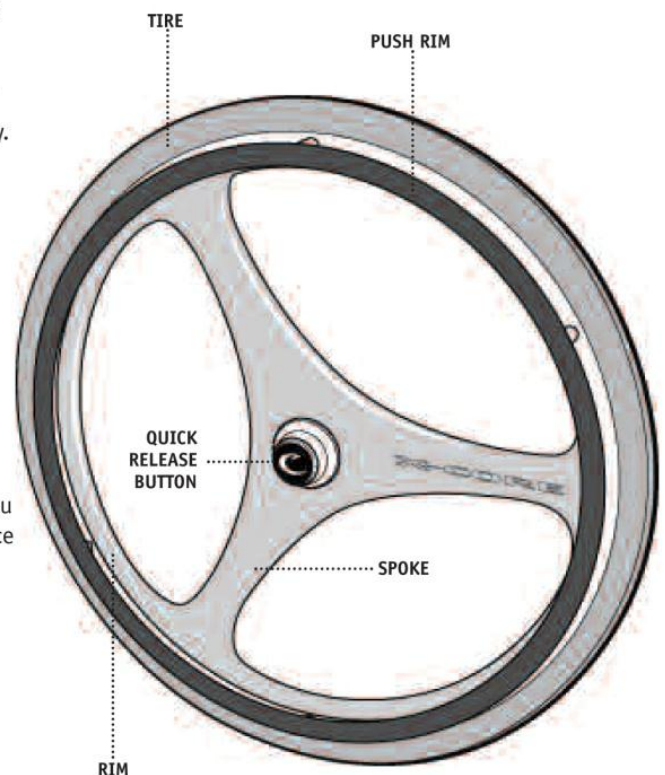
RIMS

At least once a year you should have your wheels serviced by an authorized Colours dealer. If you notice loose or broken spokes, you should have them replaced as soon as possible.

BEARINGS

The bearings on your Colours wheelchair are sealed and do not need lubrication or other maintenance. It is, however, a good idea to inspect your axles and bearings on a regular basis. We suggest that you remove hair or other foreign objects that can degrade the performance of these components.

Wheels



Shocks

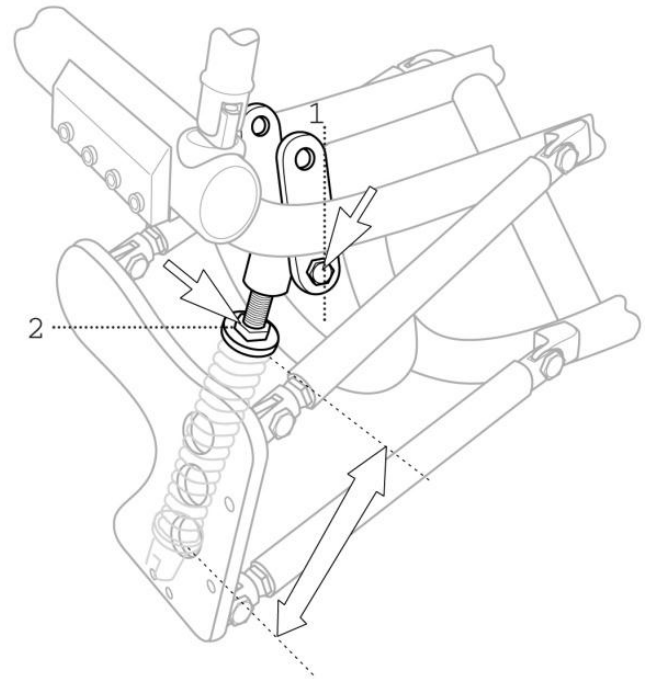
Adjusting the Shocks (Boing! & ShockBlade only)

To extend or decrease the length of the shocks on the Suspension Assembly:

1. Remove the screw securing the top of the shock assembly to the frame.
2. Loosen (to extend pre-load of the spring) or tighten (to decrease pre-load of the spring) the nut at the top of the shock spring to the desired setting.
3. Reinstall the shock assembly to the frame.
4. Repeat steps 1 through 3 on the other shock.



The length of both shocks should be the same.



GETTING IT RIGHT PART 2

Advanced Adjustments

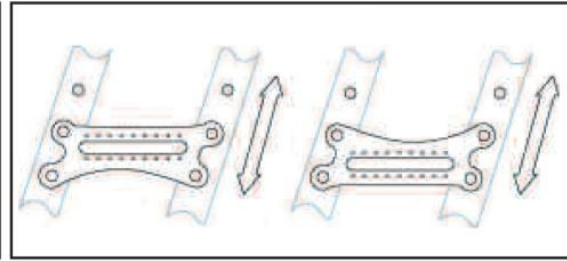
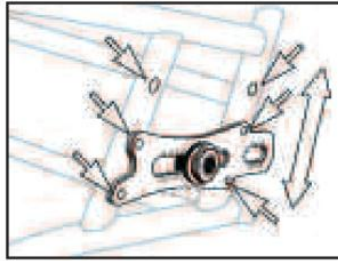
The following adjustments should only be made by an authorized Colours dealer. We discuss them for informational purposes only. The four sections that make up part two of this owner's manual are interrelated, hence, if a single adjustment is made in one section it will effect the adjustments in the other three sections. Should a chair require a modification in this section it is imperative that the adjustments be made sequentially.

SEQUENCE OF ADVANCED ADJUSTMENTS

- STEP 1. REAR SEAT HEIGHT
- STEP 2. FRONT SEAT HEIGHT
- STEP 3. CAMBER ANGLE
- STEP 4. WHEEL ALIGNMENT (TOE-IN / TOE-OUT)
- STEP 5. CASTER ANGLE

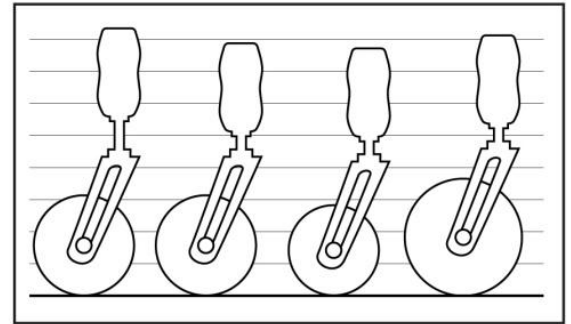
Rear Seat Height

The rear seat height can be adjusted to various positions. By modifying the Rear Axle / Camber Plate, the angle of the seat bucket can be adjusted to increase or decrease the amount of pressure on the back bone. On the Boing! an additional adjustment can be made to the rear seat height by changing the settings on the rear shock absorber spring. The amount of pressure is frequently requested by a clinician.



Front Seat Height

The front seat height can be adjusted by repositioning the caster housing. In addition there are three different axle and wheel sizes (small, medium and large) available. By adjusting the front seat height you can increase or decrease the amount of pressure on and position of the legs. The quick release front wheels should be locked into position after adjusting and there should be no play in the in the caster wheel. The wheel casters should be tightened periodically because they tend to become loose after long periods of use.



! IMPORTANT

Adjustments to the rear and front seat heights should only be made by an authorized Colours dealer. We discuss them for informational purposes only.

Caster Angle

Caster Adjustment

Correct adjustment and alignment of the two front casters are important to minimize turning resistance and to guarantee that the chair tracts in a straight line. The chair must always be on a flat surface to make this adjustment.

As a rule of thumb, the angle of the caster axle should be 90° to the ground. If the caster angle is more than 90° , the turning resistance is increased. The casters must be adjusted to 90° in both vertical plains.

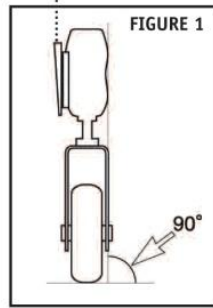
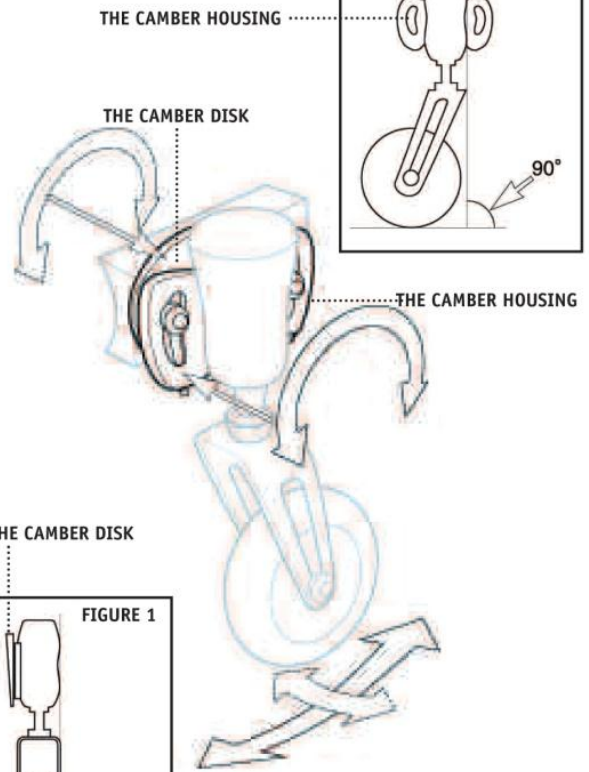
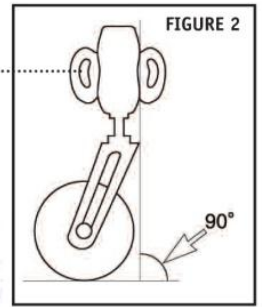
If you experience front caster flutter (caster vibration) when pushing the chair at increased speeds, the caster angle should be adjusted to an angle slightly less than 90° to eliminate the problem.

Colours chairs are equipped with a unique camber disk. Rotating the disk will adjust the camber left to right (see figure 1).

The caster housing (with slots) adjusts the front to back perpendicularity of the caster (see figure 2).

! IMPORTANT

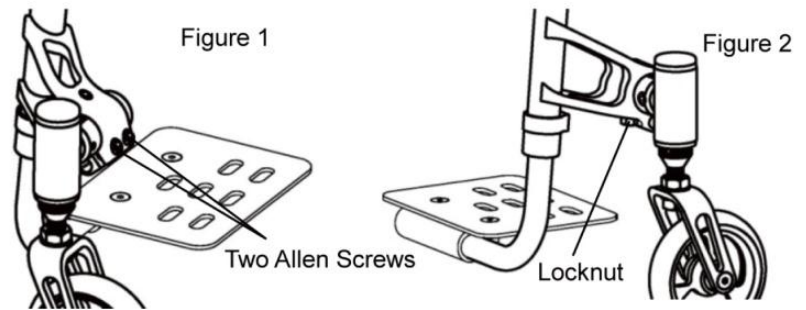
Always make sure that the front casters are aligned properly in relation to each other and that they rotate freely in a horizontal plane. Adjustment to the wheel alignment should only be made by an authorized Colours dealer. We discuss it for informational purpose only.



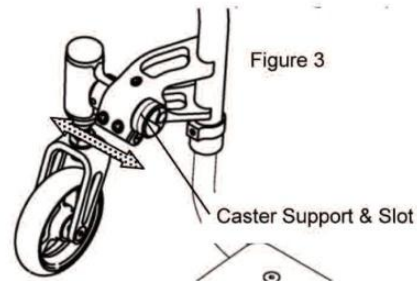
Adjustable Position & Angle Caster Housing (Saber)

(Tools Needed: • 3/16" Allen Wrench • 5/32" Allen Wrench • 1/8" Allen Wrench • 3/8" Open End Wrench)

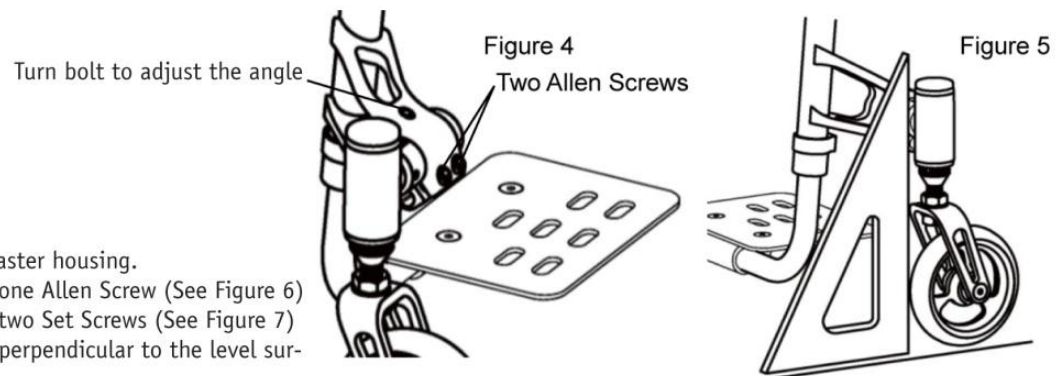
1. Place the chair on a level surface.
2. Loosen, but do not remove, the two Allen Screws that hold the caster Housing. (See Figure 1)
3. Loosen the locknut, but do not remove, while keeping the bolt from rotating. (See Figure 2)



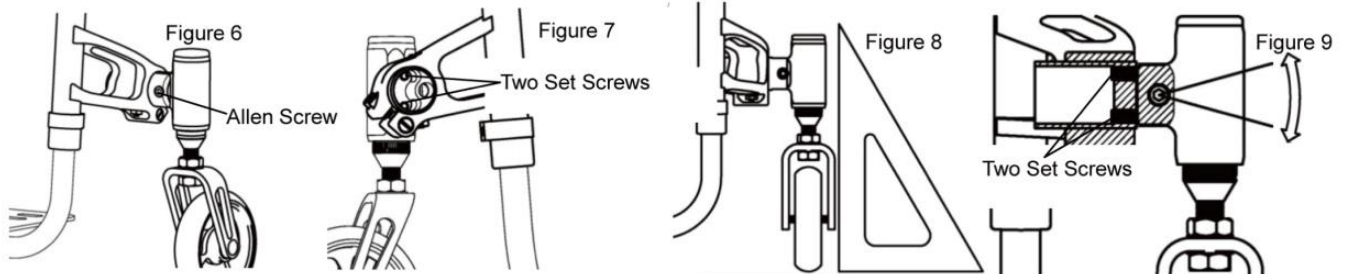
- 4-1. Adjusting the position.
- 4-2. Move "Caster Support" to the inside or outside and check the position to see the slot. (See Figure 3)
- 4-3. Be the same position of left and right caster housing.



- 5-1. Adjusting the angle.
- 5-2. Turn the bolt to adjust the angle of caster housing. (See Figure 4)
- 5-3. Adjust the caster housing to be perpendicular to the level surface. (Use a drafting triangle or similar 90° angle tool. See Figure 5)
- 5-4. Using the Allen Wrench to prevent the bolt from turning, use the open end wrench to tighten the locknut.
- 5-5. Securely tighten the two Allen Screws.
- 5-6. Recheck the caster housing to be certain it is still perpendicular to the ground before riding.



- 6-1. Adjusting the camber angle of caster housing.
- 6-2. Loosen, but do not remove, the one Allen Screw (See Figure 6)
- 6-3. Loosen, but do not remove, the two Set Screws (See Figure 7)
- 6-4. Adjust the caster housing to be perpendicular to the level surface. (Use a drafting triangle or similar 90° angle tool. See Figure 8)
- 6-5. Securely tighten the one Allen Screw.
- 6-6. Securely tighten the two Set Screws. (See Figure 9)



***After tightening the locknut and all screws, recheck the caster housing to be certain it is still perpendicular to the ground before riding.**

Camber Angle

What Is Camber?

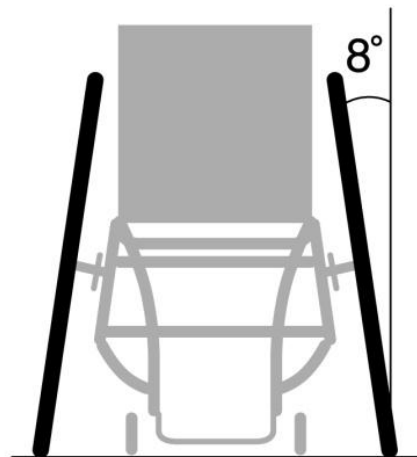
By camber angle we are referring to the vertical angle of the rear wheels.



By changing this angle, you dramatically affect the handling characteristics of your chair, and it should always be done by your authorized Colours dealer. We discuss it for informational purposes only.

There are several benefits of a slight camber angle. First, it moves the top of the wheel in toward your body, positioning the pushrim closer to you. This means more efficient energy use and less shoulder abduction. It will also make your chair more directionally stable and increase responsiveness when turning.

Keep in mind that more camber angle will increase the overall width of your chair. Make sure you maintain an appropriate width for your everyday environment.



Wheel Alignment

Toe-In / Toe-Out

When you have determined a comfortable and functional seat and backrest angle, decided on a camber angle and the rear wheel position, it is extremely important that you geometrically align the wheels. Any advanced adjustments made will effect the toe-in / toe-out angle (the horizontal angle of the rear wheels). On a wheelchair where the rear wheels are no longer parallel, the rolling resistance and directional stability may be greatly compromised. It will also increase tire wear.

It is critical that the distance between the rear wheels, as measured from the center (front and rear) does not exceed 0 - 0.25" toe-in (see diagram).

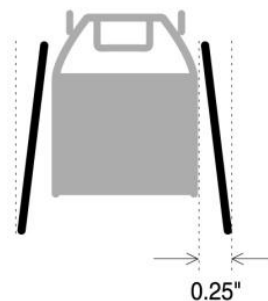


Adjustment to the wheel alignment should only be made by an authorized Colours dealer. We discuss it for informational purpose only.

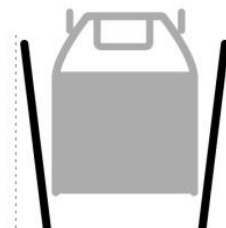
IDEAL SETUP
This is the recommended setup



TOE-IN



TOE-OUT
This is NOT the recommended setup



Service & Maintenance

By utilizing state of the art technology and aero-space manufacturing techniques Colours wheelchairs are more advanced than ever. Due to the rapid pace at which our industry is evolving, it is impossible for us, in a manual like this, to provide the most complete and current information on repair and maintenance of your Colours wheelchair. In order to minimize the risk of accidents, poor performance or causing damage to your chair, it is critical that you see an authorized Colours service provider for all repairs.

Remember, your number one source for information and assistance is the dealer that delivered your chair. Your nearest dealer can help answer questions regarding wheelchair adjustment, maintenance and warranty.



GOOD IDEA!

Since the maintenance needed for each individual user will vary, you should consult with your Colours representative to establish a periodic maintenance program suited to your particular use



IMPORTANT

Adjustments to the arm rests should only be made by an authorized Colours dealer. We discuss them for informational purpose only.

There are many more accessories and components available. For a complete list refer to page 36.

Push Handles

To install:

1. Insert the push handle into the push handle receiver located directly behind the backrest
2. Lock the push handle into place by inserting the push handle set screw (or the optional push handle quick release).
3. Make certain that the set screw is fully inserted and locked into place.
4. Remember that push handles are left and right specific.

To remove:

Remove the push handle set screw (or pull the quick release pin) out and pull the push handle out of push handle receiver.

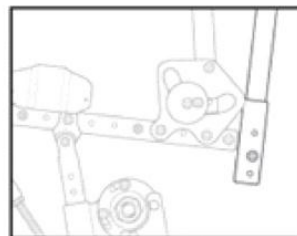
Arm Rests

To install:

1. Insert arm-rest into the arm rest receiver. Make sure that the grooved end of the arm rest handle locks firmly into position when inserted into the arm rest receiver.
2. Arm Rests are left and right specific.

To remove:

Pull the arm rest handle out of the arm rest receiver.



Cleaning

Upholstery

When cleaning the upholstery, use warm water and a mild soap. Upholstery cleaner/foam can also be used, but avoid other cleaning solvents.

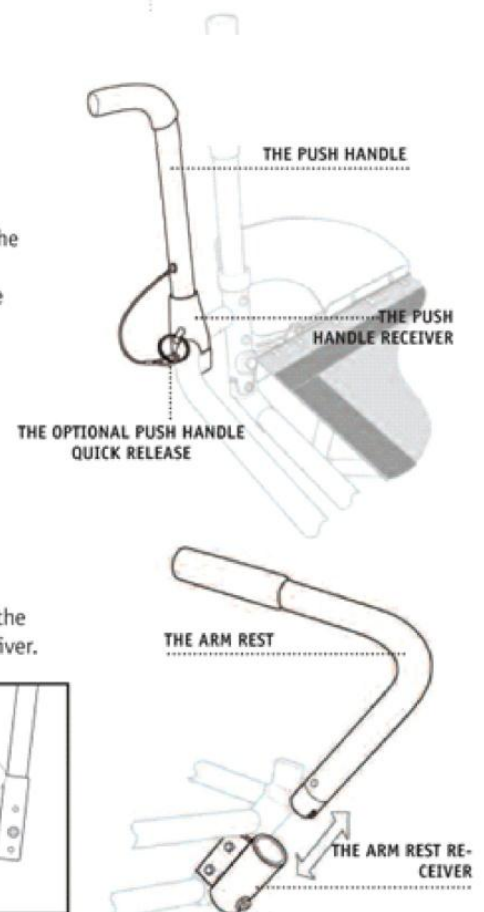
Frame

Whether your Colours frame has been powder coated or anodized, great care is taken in the choice of material and process to keep your chair looking it's best. Keeping the chair clean and properly maintained is as important with your wheelchair as it is with any other mechanical equipment. Proper maintenance and cleaning will greatly reduce the chance for performance problems, and can extend the life of your chair.

Clean the frame parts with warm water and soap, car shampoo or a mild non-abrasive cleaner. Dry any remaining water from the chair. One drop of lubricant is recommended, once or twice a year in the brake assembly and on the backrest hinges to make these parts operate smoothly.

Chapter 4

MAINTENANCE, WARRANTY & ACCESSORIES



Anti-Tippers

To install:

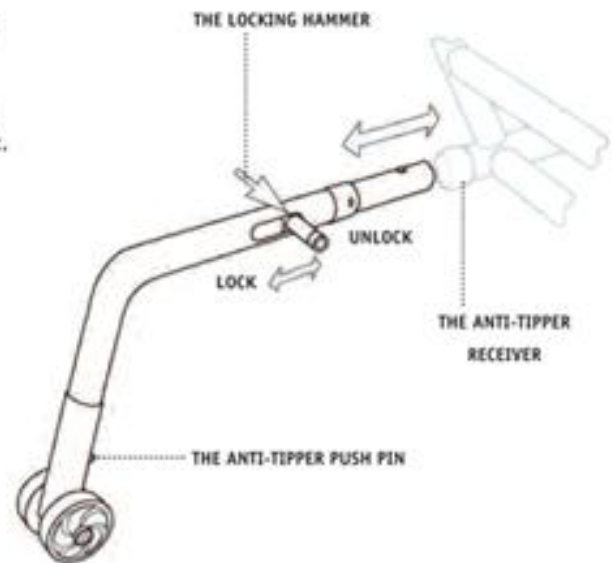
1. Verify the locking hammer, located on the anti-tipper, is in the forward or unlocked position
2. Insert the anti-tipper into the anti-tipper receiver
3. When the anti-tipper ring is flush with the anti-tipper receiver ring adjust to desired position and lock into place by pulling the locking hammer back.
4. Make sure that the anti-tippers are securely locked.
5. Anti-tippers are left and right specific.

To remove:

1. Push the locking hammer on the anti-tipper forward.
2. Slide the anti-tipper out of the anti-tipper receiver.

To adjust length:

Using an Allen wrench, loosen the screw on the anti-tipper ring and slide the ring forward or back to desired length. After altering retighten screw.



To adjust height:

By manipulating the push pin, located on the interior leg of the anti-tipper, you can adjust the height, up or down. There are various possible heights. Both anti-tippers should be adjusted uniformly.

! IMPORTANT

Adjustment to the anti-tippers should only be made by an authorized Colours dealer. We discuss it for informational purpose only.

Accessories and Optional Specifications

		BOING!	ECLIPSE	RAZOR BLADE	SABER	LIL DIPPER	SPAZZ	ZEPHYR	CHUMP	SHOCK BLADE
WHEELS AND TIRES	24" heat treated (Radial spoke)	✓	✓	✓	✓		✓	✓		✓
	25" 3 spoke (X-Core)	✓	✓	✓	✓		✓	✓		✓
	25" heat treated (Radial spoke)	✓	✓	✓	✓		✓	✓		✓
	26" heat treated (Radial spoke)	✓	✓	✓	✓		✓	✓		✓
	Flat free inserts	✓	✓	✓	✓	✓	✓	✓	✓	✓
	Knobby tires	✓	✓	✓	✓		✓	✓		✓
HAND RIMS	Plastic coated (black)	✓	✓	✓	✓	✓	✓	✓	✓	✓
	Powder coated (black)	✓	✓	✓	✓	✓	✓	✓	✓	✓
	Foam coated (black)	✓	✓	✓	✓	✓	✓	✓	✓	✓
CASTERS	6" Pneumatic				✓					
PUSH HANDLES	Integrated with backrest	✓	✓	✓	✓	✓	✓	✓	✓	✓
	Bolt on with quick release	✓	✓	✓	✓	✓	✓	✓	✓	✓
ARMREST	Swing-away	✓	✓	✓	✓	✓	✓	✓	✓	✓
SEAT	Cushion 1", 2", 3", 4"	✓	✓	✓	✓	✓	✓	✓	✓	✓
MISCELLANEOUS	Anti-tippers everyday	✓	✓	✓	✓	✓	✓	✓	✓	✓
	Basketball roller	✓	✓	✓	✓	✓	✓	✓	✓	✓
	Rigid side guards	✓	✓	✓	✓	✓	✓	✓	✓	✓
	Soft clothing protectors	✓	✓	✓	✓	✓	✓	✓	✓	✓
	Frame protectors	✓	✓	✓	✓	✓	✓	✓	✓	✓
	Quad. wheel release	✓	✓	✓	✓	✓	✓	✓	✓	✓
	Spoke protectors	✓	✓	✓	✓	✓	✓	✓	✓	✓
	Quick release (casters)	✓	✓	✓	✓	✓	✓	✓	✓	✓
	Quick release (rear wheels)	✓	✓	✓	✓	✓	✓	✓	✓	✓
	Seat belt	✓	✓	✓	✓	✓	✓	✓	✓	✓
Back lock assembly	✓	✓	✓	✓	✓	✓	✓	✓	✓	

Colours Air Ride System Owner's Manual

► Air Ride System Maintenance and Air pressure

ⓘ To keep your air ride system in optimal working condition,

You should **check the air pressure at least once a month.**

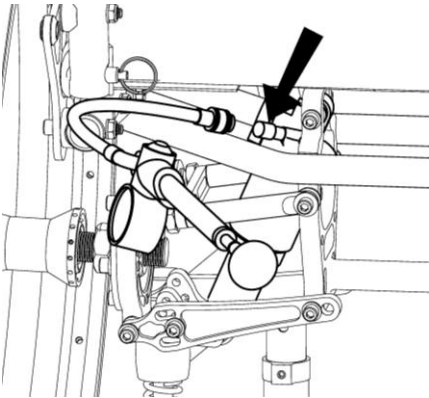
Use the Fox High Pressure Pump, as shown below.

The pump is used to add and release air pressure from your FLOAT SHOCKS

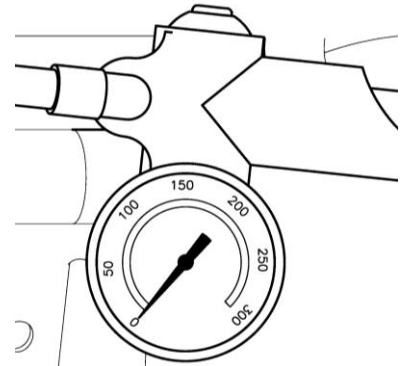
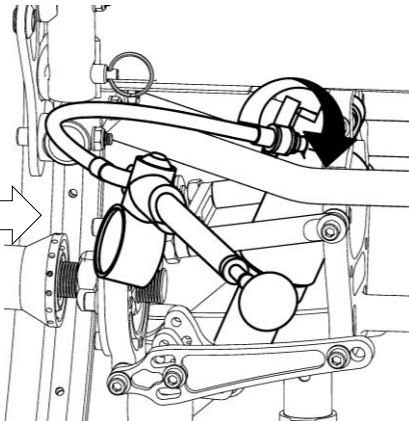
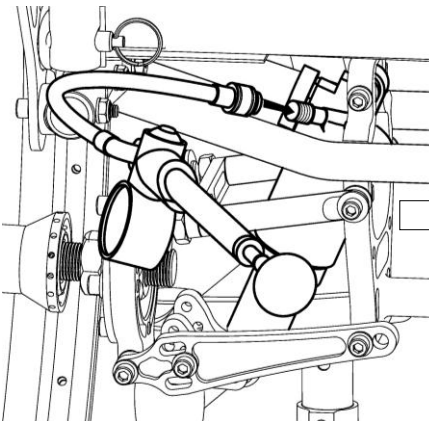


► To Pressurize Your Shock:

1. Locate and Remove the air valve cap from the shock

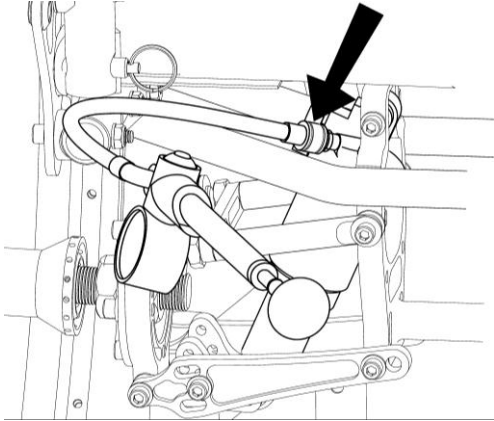


2. Thread the pump's valve chuck onto the shock's air valve until pressure registers on the pump gauge. This takes approximately 6 turns - Do not over-tighten pump on air valve as this will damage the pump chuck seal.

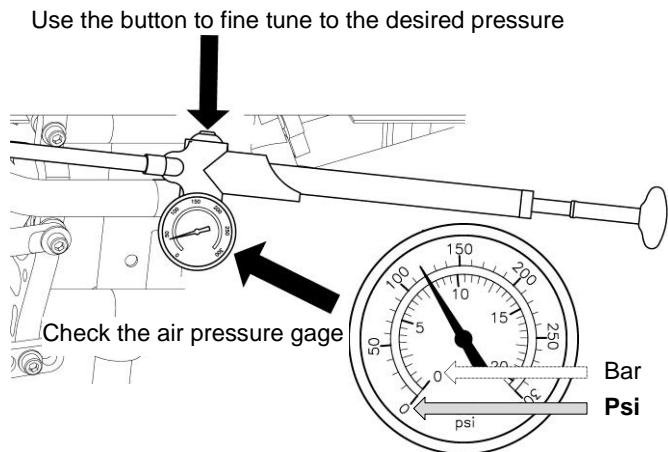
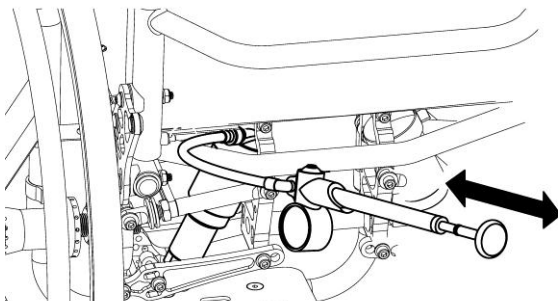


*If the shock has no air pressure, the gauge will read zero.

3. Stroke the pump few cycles. The pressure should increase slowly. If pressure increases rapidly check to make sure the Pump is properly fitted and tightened on to the air valve.



4. Pump to the desired pressure setting- Average air pressure range is from 50 to 210psi
 You can decrease pressure by pushing the black bleed valve on the shock pump.
 Pushing the bleed valve half way down and holding it there will allow pressure to escape from the pump and shock.
 Pushing the bleed valve all the way down and releasing it will allow only a small amount of pressure to escape (micro adjust).
 When unthreading the pump from the air valve fitting, the sound of the air loss is from the pump hose, not from the shock.



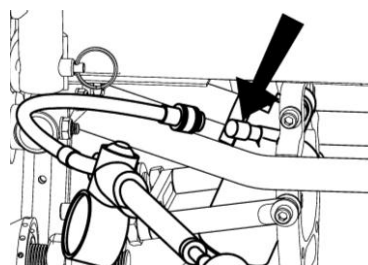
! Maximum Air Pressure : 300 psi

►Correct Air Pressure

Your Weight	80 lbs (36 kg)	110 lbs (50 kg)	140 lbs (64 kg)	170 lbs (77 kg)	200 lbs (90 kg)	230 lbs (105 kg)	250 lbs (114 kg)		
Air Pressure	50 psi	60psi	70psi	80psi	90psi	100psi	120psi	130 psi	150psi

When you attach the pump to the shock, the hose will need to fill with air. This will result in a lower pressure registering approximately 3 to 4 psi on the gauge.

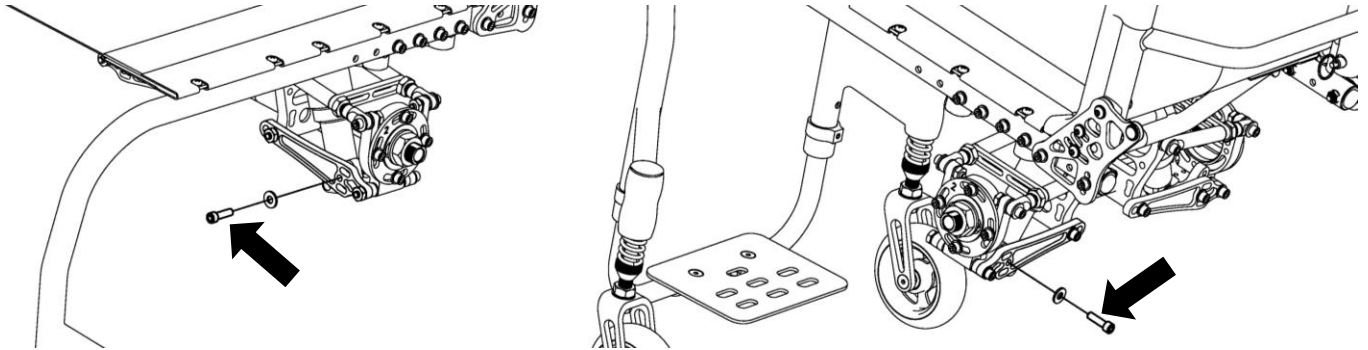
5. Replace the air valve cap.



►To Change Your Rear Seat Height

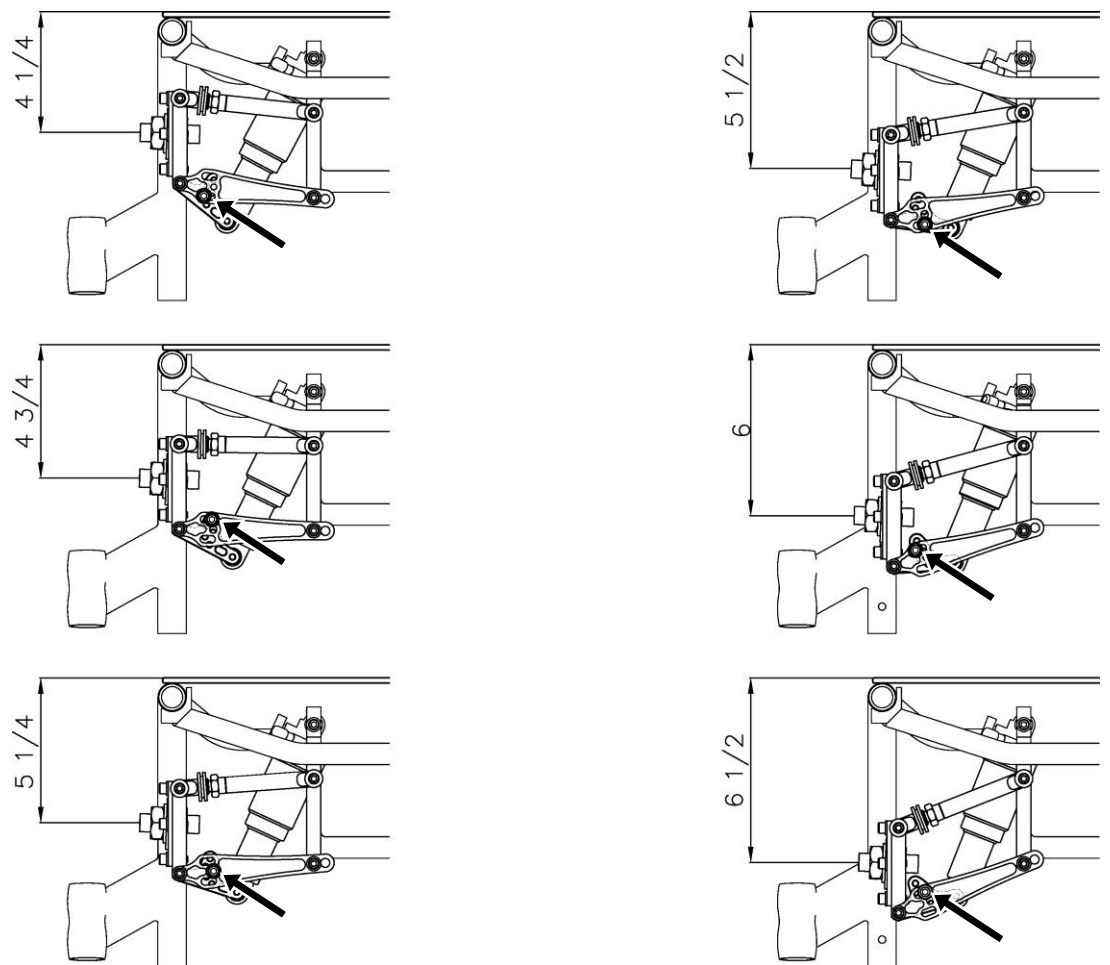
(Tools Needed: • 3/16" Allen Wrench)

1. Loosen and remove the two Allen Screws and two Washers.



2. Adjusting the height of axle plate.
Reposition the axle plate to the desired height.
Then reinstall the two Allen Screws and two Washers.

Position of the Axle Plate and Allen Screws



3. Securely tighten the two Allen Screws and Washers.
*Left and right axle plate must be the same.

COLOURS WARRANTY POLICY

SN: _____

***This warranty is valid only for the originally registered owner.**

2013 Colours In Motion All Rights Reserved

ITEM	Warranty Period	Description
Main Frame (Every Day Chair)	Lifetime*	Razor Blade, Shock Blade, Spazz(G,K), Boing, Saber, Zephyr, Trimor Kripto, Eclipse, Chump(G), Little Dipper, Razor Blade JR, Saber JR, Other chair (*from ver.9 order form)
Main Frame (Tennis Chair)	Lifetime*	Xtreme
Main Frame (Sports Chair)	No Warranty	Hammer, Zephyr Sports, and All contact Sports Chair
Main Frame (Heavy Duty Chair)	Lifetime*	
Air Ride Shock System	5 years	Fox Shock: Per Manufactures Warranty
Boing Shock System	5 years	
Back Rest Tube	5 years	
Back Rest Bracket	5 years	
Axle Tube & Axle Plate	5 years	
Wheel Lock	1 year	
Caster Fork	1 year	
Axle Pins	1 year	
Wheels	60 days	STD Wheel, Cross Knot, Heat Treated Wheel, Twister Wheel, Y-360
Wheel with Bite Locking Hub	1 year	Bite Hub Locked Wheel, Y-360 w/Bite Hub Locked
Hand rims	60 days	
Foot Plate	60 days	
Bearings	60 days	
Armrest	60 days	
Fabric	30 days	
Aluminum Side Guards	30 days	
ABS Side Guards	30 days	
Front Casters	30 days	
Tires & Inner Tubes	No Warranty	
Push Handle	No Warranty	
OEM Products	-	Per Manufactures Warranty
Custom Parts	1 year	
Hardware	1 year	
Other Parts	60 days	

*Colours warrants the main frame and cross brace, if applicable, against any defects in materials and workmanship for the life of the original purchaser. The expected lifetime is five years.

This warranty does not include any labor or shipping charges incurred in replacement part installation or repair of any such product. Colours's sole obligation and your exclusive remedy under this warranty shall be limited to such repair and/or replacement. For warranty service, please contact the dealer from whom you purchased your Colours product. In the event you do not receive satisfactory warranty service, please write directly to Colours at the address on the back page.

Provide dealer's name, address, date of purchase, indicate nature of the defect and, if the product is serialized, indicate the serial number. Do not return products to our factory without our prior consent.

Limitations and Exclusions: The Foregoing warranty shall not apply to serial numbered products. if the Serial number has been removed or defaced, Products subjected To negligence, accident, improper operation, Maintenance or storage, commercial or Institutional use, Products modified without Colours's express written Consent, Including, But Not limited to, Modification through The use of unauthorized parts or attachments; Products damaged by reason of repairs made to any component Without the specific consent of Colours, or to a Product damaged by circumstances beyond Colours's control, and such evaluation will be solely determined by Colours. The warranty shall not apply to problems arising from normal wear or failure to adhere to these instructions. The foregoing express or implied, including the implied warranties of merchantability and fitness for a particular purpose, and the sole remedy for violations of any warranty whatsoever, shall be limited to repair or replacement of the defective product pursuant to the terms contained herein.

The manufacturer shall not be liable for any consequential or incidental damages whatsoever. This warranty shall be extended to comply with state/provincial laws and requirements.

Please complete the following form for your own records.

Wheelchair serial number _____

Model of wheelchair _____

Name of the sales representative _____

Name of the dealership _____

Telephone number of the dealership _____

Address of the dealership _____

Purchase Date _____



colourswheelchair.com



©2010 Colours Wheelchair

Colours, Colours logo, RazorBlade, Boing!, Saber, Eclipse, Spazz, RazorBlade Jr, Chump, Krypto, ShockBlade, and Little Dipper are trademarks of Colours in Motion.

© 2010 Colours in Motion. All rights reserved. Printed in the USA.

WARRANTY CARD

2012 Colours In Motion All Rights Reserved

This card must be returned to Colours in order to activate the warranty for your Colours wheelchair.

Wheelchair serial number _____

Model of wheelchair _____

Name of the dealership _____ Purchase Date _____

Name of owner _____

Address _____

City _____ State _____ Zip _____ Country _____

Phone _____ Fax _____

E-mail _____

How many Colours chairs do you own (including this one)? _____

Disability _____ Years disabled _____

Age _____ Sex _____ Occupation _____

What are your favorite magazines? _____

Would you like to receive Coloured Paper (Colours' newsletter) to stay up-to-date with the latest development at Colours? Yes No

X _____

Signature _____ Date _____

By providing the above signature, I acknowledge the terms and conditions of Colours wheelchair warranty.

